

## BHW SERIES LOW HEIGHT TORQUE WRENCH

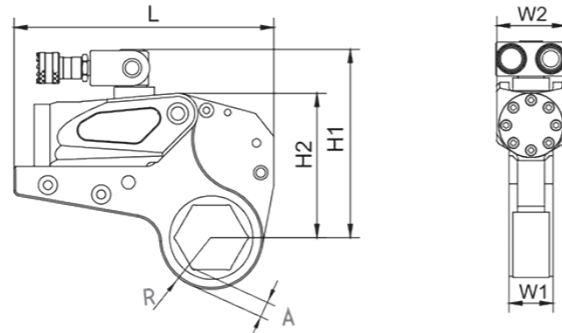
The BHW low profile torque wrench is an essential tool for limited clearance applications. It supports extensive range of interchangeable ratchet cassettes that deliver a torque range of 232–44593N.m.



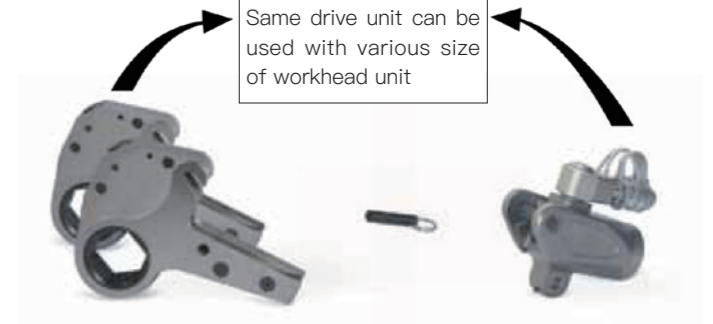
- Using High-tech aerospace material, integrally molded body. Strengthen the body for using durability
- Wide range of metric and imperial interchangeable hexagon ratchet cassettes available
- Swiveling inlet port Rotates 360 degrees
- Designing using 3D CAD modeling software, provide torque precision within  $\pm 3\%$



Extended Reaction Arm Available

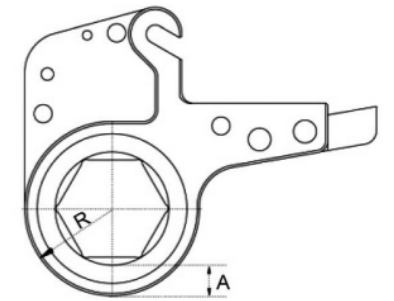


## BHW-L Series Workhead Selection



Bolt Size	S	BHWL2		
		Workhead	R mm	R mm
12	19	BHWL2-19	27	16
14	22	BHWL2-22	27	14
18	27	BHWL2-27	27	11
20	30	BHWL2-30	29	12
32		BHWL2-32	29	11
22	34	BHWL2-34	31	11
24	36	BHWL2-36	31	10
27	41	BHWL2-41	34	10
30	46	BHWL2-46	37	11
33	50	BHWL2-50	40	11
36	55	BHWL2-55	43	11
39	60	BHWL2-60	46	11

Bolt Size	S	BHWL4		
		Workhead	R mm	R mm
22	34	BHWL4-34	36	16
24	36	BHWL4-36	36	15
27	41	BHWL4-41	39	15
30	46	BHWL4-46	42	15
33	50	BHWL4-50	44	15
36	55	BHWL4-55	46	15
39	60	BHWL4-60	50	14
42	65	BHWL4-65	53	15
45	70	BHWL4-70	56	15
48	75	BHWL4-75	59	15
52	80	BHWL4-80	61	15



Model	Torque Range	Bolt Size	Drive Unit Weight	Workhead Unit Weight	L	H1	H2	W1	W2
	N.m	s	kg	kg	mm	mm	mm	mm	mm
BHW-2	228-2278	19-55	0.9	1.5	196	126	102	32	51
		60	0.9	1.5	196	129	105	32	51
BHW-4	586-5862	34-65	1.7	3.4	258	163	136	42	66
		70-80	1.7	3.4	263	173	146	42	66
BHW-8	1094-10941	41-95	3	6.3	300	192	168	53	83
		100-105	3	6.3	311	201	177	53	83
BHW-14	1826-18286	50-117	4.6	11.4	360	225	204	64	99
BHW-30	4231-42311	110-155	10.4	20.5	430	303	272	85	131
		160-175	10.4	20.5	441	315	285	85	131

Bolt Size	S	BHWL8		
		Workhead	R mm	R mm
27	41	BHWL8-41	50	26
30	46	BHWL8-46	50	23
33	50	BHWL8-50	50	21
36	55	BHWL8-55	50	18
39	60	BHWL8-60	55	20
42	65	BHWL8-65	55	17
45	70	BHWL8-70	60	20
48	75	BHWL8-75	60	17
52	80	BHWL8-80	66	19
56	85	BHWL8-85	66	16
60	90	BHWL8-90	71	19
64	95	BHWL8-95	71	16
68	100	BHWL8-100	78	20
72	105	BHWL8-105	78	17

Bolt Size	S	BHWL14		
		Workhead	R mm	R mm
33	50	BHWL14-50	66	37
36	55	BHWL14-55	66	34
39	60	BHWL14-60	66	31
42	65	BHWL14-65	66	28
45	70	BHWL14-70	66	25
48	75	BHWL14-75	66	22
52	80	BHWL14-80	66	19
56	85	BHWL14-85	72	22
60	90	BHWL14-90	72	20
64	95	BHWL14-95	77	22
68	100	BHWL14-100	77	19
72	105	BHWL14-105	83	22
76	110	BHWL14-110	83	19
80	115	BHWL14-115	87	20
	117	BHWL14-117	87	19

Bolt Size	S	BHWL30		
		Workhead	R mm	R mm
64	95	BHWL30-95	89	34
68	100	BHWL30-100	89	31
72	105	BHWL30-105	89	38
76	110	BHWL30-110	89	25
80	115	BHWL30-115	95	28
	117	BHWL30-117	95	27
85	120	BHWL30-120	95	25
	125	BHWL30-125	104	32
90	130	BHWL30-130	104	29
95	135	BHWL30-135	104	26
	140	BHWL30-140	110	29
100	145	BHWL30-145	110	26
105	150	BHWL30-150	116	29
110	155	BHWL30-155	116	26
	160	BHWL30-160	128	36
115	165	BHWL30-165	128	33
120	170	BHWL30-170	128	30
	175	BHWL30-175	128	27